



FEED AND BIOFUEL

# HIGH PERFORMANCE POWDER CLASSIFICATION

SHANGHAI PLAN SIFTER TYPE SPS

**ANDRITZ**

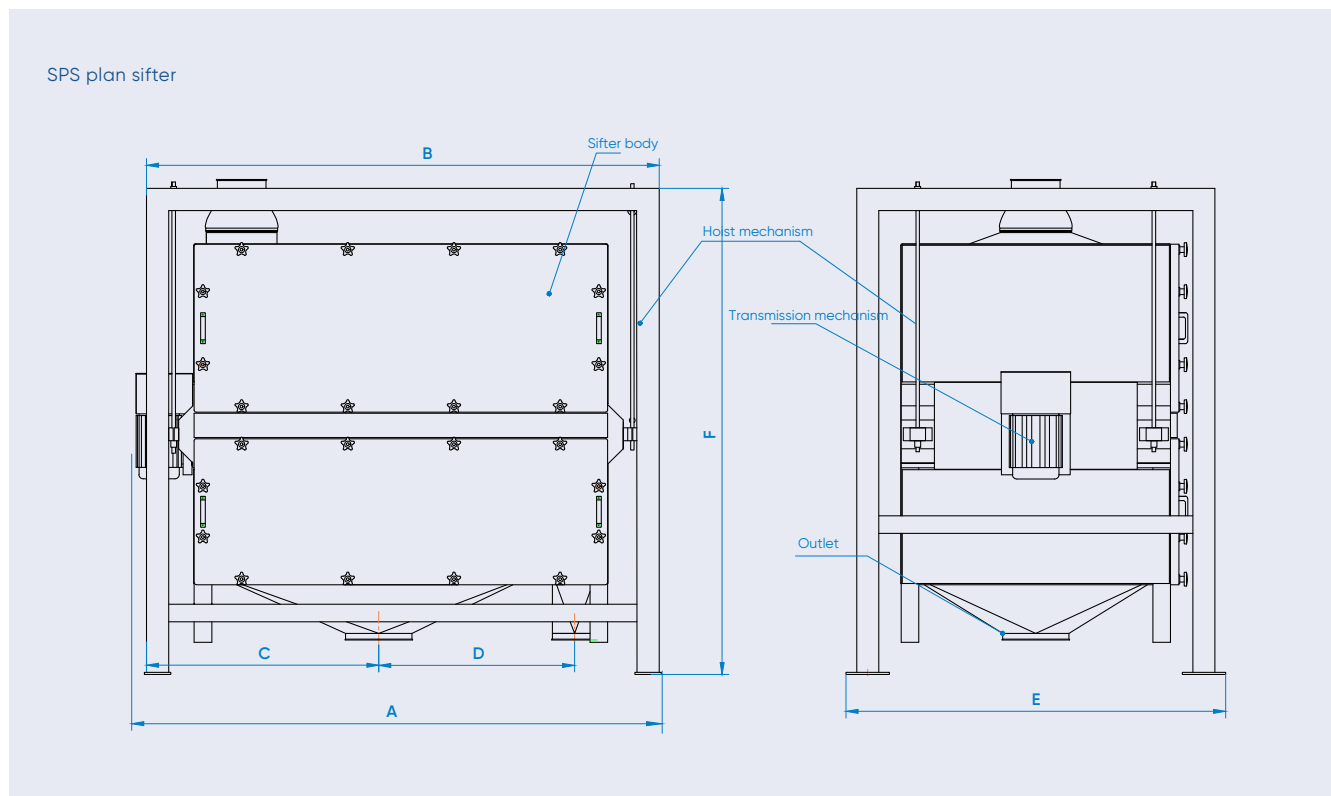
ENGINEERED SUCCESS

# High performance powder classification

The ANDRITZ SPS series plan sifter is an efficient plane-rotary grading sifter widely used for powder or pellets. It is an effective way to remove impurities in applications like food, pharmaceutical, starch, feed, chemical, mining, flour milling, and any other industrial process. The plan sifter is especially useful in situations where two kinds of fine powder material classification is necessary.

## ANDRITZ SPS SERIES PLAN SIFTER FEATURES:

- High capacity, low energy consumption
- Compact structure
- A non-upright shaft transmission for easy assembly and operation
- Reliable operation with low noise output
- Sifter body constructed using pipes for reinforced strength and rigidity
- Sifter area equipped with screens of various tilting degrees to improve capacity
- Screen and frame can be easily removed for cleaning and maintenance
- A flexible connection structure between the drive and main machine make disassembling and reassembling simple
- A specialized hoist for the sifter body allows for easy changes to sifting capacity
- The tilting structure is designed for improving the capacity of material receiving base plates



- Optional stainless steel construction helps reduce corrosion and blockages
- Screens are wrapped in wood treated with a specialized steam process which creates a strong and durable frame
- Emissions and operation costs are reduced



SPS plan sifter

The plan sifter is especially useful in situations where two kinds of material classification is necessary and when grading of the ultra-micro powder inspection process takes place.

### TECHNICAL SPECIFICATIONS

Model	Capacity t/h	Power kW	Rotary Diameter mm	Weight kg
SPS90	5-7	1.5	55-65	1050
SPS110	6-10	1.5	55-65	1170
SPS120	9-13	1.5	55-65	1270
SPS200	15-16	2.2	55-65	1943

### DIMENSION SIZE (MM)

Model	A	B	C	D	E	F
SPS90	2268	2168	975	810	1420	2160
SPS110	2418	2318	1050	1620	1620	2160
SPS120	2618	2518	1150	1720	1720	2270
SPS200	1970	1700	1015	665	1896	2400.5



## GLOBAL SUPPLIER – LOCAL PRESENCE

With sales, service, engineering, manufacturing and production sites located all around the world, ANDRITZ Feed and Biofuel is truly a global organization with a local presence. ANDRITZ is vital to ensuring a reliable global supply of aqua feed, animal feed, pet food, and biofuel. With full process lines accounting for half the world's production of aqua feed and biomass alone, we continuously support leading producers in achieving the highest levels in safety, quality, and control from feedstock to final product.

How can we help grow your business?

### ANDRITZ Feed and Biofuel A/S

Glentevej 5–7  
6705 Esbjerg, Denmark  
p: +45 72 160 300  
andritz-fb.dk@andritz.com

### ANDRITZ Shende (Shanghai) Feed and Biofuel Co., LTD.

No.2288 Rongle East Road Songjiang  
Shanghai 201613, China  
p: +86 21 57745781  
andritz-fb.cn@andritz.com

### AUSTRALIA

p: +61 3 8773 4888  
andritz-fb.au@andritz.com

### CHINA

p: +86 21 5774 5781  
andritz-fb.cn@andritz.com

### INDIA

p: +91 87544 15287  
andritz-fb.india@andritz.com

### SOUTH AFRICA

p: +27 82 781 0808  
andritz-fb.za@andritz.com

### BANGLADESH

p: +88 (02) 9844800  
andritz-fb.bd@andritz.com

### COLOMBIA

p: +57 (1) 744 8200  
andritz-fb.co@andritz.com

### ITALY

p: +39 (0445) 575 695  
andritz-fb.it@andritz.com

### TURKEY

p: +90 232 570 38 00  
andritz-fb.tr@andritz.com

### BRAZIL

p: +55 47 3387 9146  
andritz-fb.br@andritz.com

### DUBAI

p: +971 4 299 5555  
andritz-fb.uae@andritz.com

### MEXICO

p: +52 443 323 1530 ext 364  
andritz-fb.mx@andritz.com

### UK

p: +44 1482 825119  
andritz-fb.uk@andritz.com

### CANADA

p: +1 519 676 7057  
anbosales@andritz.com

### FRANCE

p: +33 24 75 06 364  
andritz-fb.fr@andritz.com

### NETHERLANDS

p: +31 40 2627777  
andritz-fb.nl@andritz.com

### USA

p: +1 570 546 1253  
andritz-fb.us@andritz.com

### CHILE

p: +56 2 24624608  
andritz-fb.cl@andritz.com

### GERMANY

p: +49 2104 9197 0  
andritz-fb.de@andritz.com

### POLAND

p: +48 60 906 1037  
andritz-fb.pl@andritz.com

### VIETNAM

p: +84 8 6253 9434  
andritz-fb.vi@andritz.com

**ANDRITZ.COM/FT**



All data, information, statements, photographs and graphic illustrations in this leaflet are without any obligation and raise no liabilities to or form part of any sales contracts of ANDRITZ AG or any affiliates for equipment and/or systems referred to herein. © ANDRITZ AG 2019. All rights reserved. No part of this copyrighted work may be reproduced, modified or distributed in any form or by any means, or stored in any database or retrieval system, without the prior written permission of ANDRITZ AG or its affiliates. Any such unauthorized use for any purpose is a violation of the relevant copyright laws. ANDRITZ AG, Stattegger Strasse 18, 8045 Graz, Austria.



3010 GB